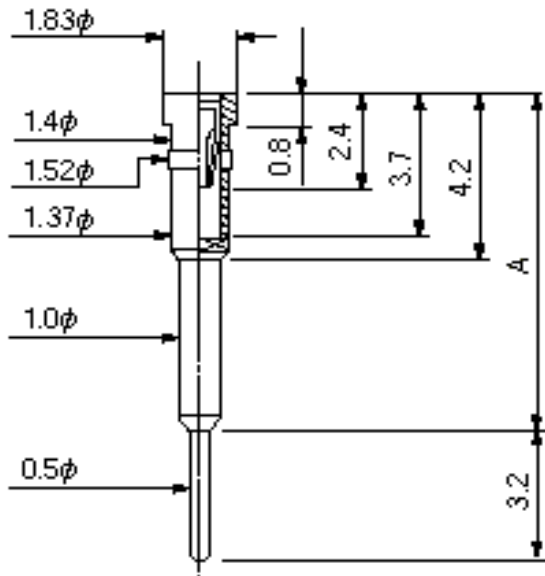


Long Pin Type (Recommended Through-hole Diameter 0.6 phi mm)



- Contact Resistance....10m ohm or less
- Dielectric Strength....1000V AC, DC 1min
- Insulation Resistance....500M ohm or more
- Material....
- Resin part..PCT black (UL94V-0)
- Body part..Brass
- Contact part..Beryllium copper
- Mating/unmating (times)....100 or more
- Mating/unmating Forces (1 pin)....70g or more
- Rated Current....1A
- Rated Voltage....125V AC, DC
- Recommended Male Pin Diameter (phi mm)....0.45 to 0.6
- Recommended Through-hole Diameter (phi mm)....0.6
- Temperature Range (Degrees Celcius)....-40 to +125

High Torque Distribution Ltd, 6 & 7 Wren Court, Strathclyde Business Park, Bellshill ML4 3NQ, Scotland, UK.
Telephone: +44 (0)1698 749749 **Fax:** +44 (0)1698 749206 **Email:** sales@hightorque.biz
Web: www.hightorquefasteners.co.uk

VAT Number: GB817097808 **Company Registration Number:** SC249029

Fastener and Component Solutions

N/O	A (mm)	Finish Contact	Finish Body
WD-6	6.0	Au p	Sn p
WD-60	6.0	Au p	Au p
WD-8	8.0	Au p	Sn p
WD-80	8.0	Au p	Au p
WD-10	10.2	Au p	Sn p
WD-100	10.2	Au p	Au p
WD-12	12.0	Au p	Sn p
WD-120	12.0	Au p	Au p
WD-15	15.0	Au p	Sn p
WD-150	15.0	Au p	Au p

High Torque Distribution Ltd, 6 & 7 Wren Court, Strathclyde Business Park, Bellshill ML4 3NQ, Scotland, UK.
Telephone: +44 (0)1698 749749 **Fax:** +44 (0)1698 749206 **Email:** sales@hightorque.biz
Web: www.hightorquefasteners.co.uk

VAT Number: GB817097808 **Company Registration Number:** SC249029