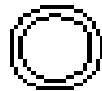
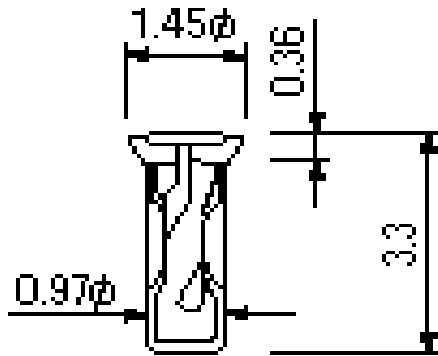


Socket Pin - PC-23



- Socket pin for DIP relay, X'TAL, IC, etc.
- PK, CD series are available for mounting child board.
- Bottom....close
- Contact Resistance....10m ohm or less
- Depth (mm)....3.0
- Finish....
- Contact part..Au plating
- Body part..Sn plating
- Material....
- Body part..Brass, Copper
- Contact part..Beryllium copper
- Mating/unmating (durability)....100 or more
- Mating/unmating Forces (1 pin)....30g or more
- Rated Current....1A
- Recommended Male Pin Diameter (phi mm)....0.43 to 0.51
- Recommended Through-hole Diameter (phi mm)....1.05

High Torque Distribution Ltd, 6 & 7 Wren Court, Strathclyde Business Park, Bellshill ML4 3NQ, Scotland, UK.
Telephone: +44 (0)1698 749749 **Fax:** +44 (0)1698 749206 **Email:** sales@hightorque.biz
Web: www.hightorquefasteners.co.uk

VAT Number: GB817097808 **Company Registration Number:** SC249029