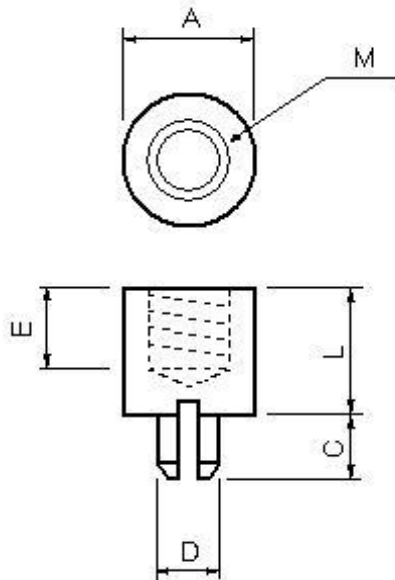


Spacer for Crimping Terminal



- Can use to connect power wire to PCB.
- Only for Through Hole PCB
- Material....Brass

High Torque Distribution Ltd, 6 & 7 Wren Court, Strathclyde Business Park, Bellshill ML4 3NQ, Scotland, UK.
Telephone: +44 (0)1698 749749 **Fax:** +44 (0)1698 749206 **Email:** sales@hightorque.biz
Web: www.hightorquefasteners.co.uk

VAT Number: GB817097808 **Company Registration Number:** SC249029

Fastener and Component Solutions

N/O	Finish	A ϕ	L	C	D ϕ	E	M	TH hole ϕ	Land Diameter ϕ	PCB Thickness	Current Capacity	Tightening Torque
PB-1-G	Plated Au over Ni base	6	6	3.3	2.02	3.5	M3	2.0-2.1	7+	1.6 to 2.0	30A	6kg.f.cm and below
PB-1-S	Plated Sn over Ni base	6	6	3.3	2.02	3.5	M3	2.0-2.1	7+	1.6 to 2.0	30A	6kg.f.cm and below
PB-2-G	Plated Au over Ni base	6	6.5	5	3.02	3.5	M3	3.0-3.1	7+	3.2	30A	6kg.f.cm and below
PB-2-S	Plated Sn over Ni base	6	6.5	5	3.02	3.5	M3	3.0-3.1	7+	3.2	30A	6kg.f.cm and below
PB-3-G	Plated Au over Ni base	7	8	3.3	3.02	5	M4	3.0-3.1	8+	1.6 to 2.0	30A	6kg.f.cm and below
PB-3-S	Plated Sn over Ni base	7	8	3.3	3.02	5	M4	3.0-3.1	8+	1.6 to 2.0	30A	6kg.f.cm and below
PB-4-G	Plated Au over Ni base	7	8	5	3.02	5	M4	3.0-3.1	8+	3.2	30A	6kg.f.cm and below
PB-4-S	Plated Sn over Ni base	7	8	5	3.02	5	M4	3.0-3.1	8+	3.2	30A	6kg.f.cm and below
2PB-4	Plated Sn over Ni base	4	4	3	2	2.5	M2	2.0-2.1	5+	1.6 to 2.0	20A	1.5kg.f.cm and below
2PB-5	Plated Sn over Ni base	4	5	3	2	3	M2	2.0-2.1	5+	1.6 to 2.0	20A	1.5kg.f.cm and below
2PB-6	Plated Sn over Ni base	4	6	3	2	4	M2	2.0-2.1	5+	1.6 to 2.0	20A	1.5kg.f.cm and below
2PB-7	Plated Sn over Ni base	4	7	3	2	5	M2	2.0-2.1	5+	1.6 to 2.0	20A	1.5kg.f.cm and below
2PB-8	Plated Sn over Ni base	4	8	3	2	5	M2	2.0-2.1	5+	1.6 to 2.0	20A	1.5kg.f.cm and below
2PB-9	Plated Sn over Ni base	4	9	3	2	5	M2	2.0-2.1	5+	1.6 to 2.0	20A	1.5kg.f.cm and below
2PB-10	Plated Sn over Ni base	4	10	3	2	5	M2	2.0-2.1	5+	1.6 to 2.0	20A	1.5kg.f.cm and below
2PB-11	Plated Sn over Ni base	4	11	3	2	5	M2	2.0-2.1	5+	1.6 to 2.0	20A	1.5kg.f.cm and below
2PB-12	Plated Sn over Ni base	4	12	3	2	5	M2	2.0-2.1	5+	1.6 to 2.0	20A	1.5kg.f.cm and below
2PB-13	Plated Sn over Ni base	4	13	3	2	5	M2	2.0-2.1	5+	1.6 to 2.0	20A	1.5kg.f.cm and below
2PB-14	Plated Sn over Ni base	4	14	3	2	5	M2	2.0-2.1	5+	1.6 to 2.0	20A	1.5kg.f.cm and below
2PB-15	Plated Sn over Ni base	4	15	3	2	5	M2	2.0-2.1	5+	1.6 to 2.0	20A	1.5kg.f.cm and below
2.6PB-5	Plated Sn over Ni base	5	5	3	3	2.5	M2.6	3.0-3.1	6+	1.6 to 2.0	20A	4kg.f.cm and below
2.6PB-6	Plated Sn over Ni base	5	6	3	3	3.5	M2.6	3.0-3.1	6+	1.6 to 2.0	20A	4kg.f.cm and below

High Torque Distribution Ltd, 6 & 7 Wren Court, Strathclyde Business Park, Bellshill ML4 3NQ, Scotland, UK.
Telephone: +44 (0)1698 749749 **Fax:** +44 (0)1698 749206 **Email:** sales@hightorque.biz
Web: www.hightorquefasteners.co.uk

VAT Number: GB817097808 **Company Registration Number:** SC249029

Fastener and Component Solutions

2.6PB-7	Plated Sn over Ni base	5	7	3	3	4.5	M2.6	3.0-3.1	6+	1.6 to 2.0	20A	4kg.f.cm and below
2.6PB-8	Plated Sn over Ni base	5	8	3	3	5.5	M2.6	3.0-3.1	6+	1.6 to 2.0	20A	4kg.f.cm and below
2.6PB-9	Plated Sn over Ni base	5	9	3	3	6.5	M2.6	3.0-3.1	6+	1.6 to 2.0	20A	4kg.f.cm and below
2.6PB-10	Plated Sn over Ni base	5	10	3	3	7	M2.6	3.0-3.1	6+	1.6 to 2.0	20A	4kg.f.cm and below
2.6PB-11	Plated Sn over Ni base	5	11	3	3	7	M2.6	3.0-3.1	6+	1.6 to 2.0	20A	4kg.f.cm and below
2.6PB-12	Plated Sn over Ni base	5	12	3	3	7	M2.6	3.0-3.1	6+	1.6 to 2.0	20A	4kg.f.cm and below
2.6PB-13	Plated Sn over Ni base	5	13	3	3	7	M2.6	3.0-3.1	6+	1.6 to 2.0	20A	4kg.f.cm and below
2.6PB-14	Plated Sn over Ni base	5	14	3	3	7	M2.6	3.0-3.1	6+	1.6 to 2.0	20A	4kg.f.cm and below
2.6PB-15	Plated Sn over Ni base	5	15	3	3	7	M2.6	3.0-3.1	6+	1.6 to 2.0	20A	4kg.f.cm and below
3PB-5	Plated Sn over Ni base	5.5	5	3	3	2.5	M3	3.0-3.1	6.5+	1.6 to 2.0	30A	6kg.f.cm and below
3PB-6	Plated Sn over Ni base	5.5	6	3	3	3.5	M3	3.0-3.1	6.5+	1.6 to 2.0	30A	6kg.f.cm and below
3PB-7	Plated Sn over Ni base	5.5	7	3	3	4.5	M3	3.0-3.1	6.5+	1.6 to 2.0	30A	6kg.f.cm and below
3PB-8	Plated Sn over Ni base	5.5	8	3	3	5.5	M3	3.0-3.1	6.5+	1.6 to 2.0	30A	6kg.f.cm and below
3PB-9	Plated Sn over Ni base	5.5	9	3	3	6.5	M3	3.0-3.1	6.5+	1.6 to 2.0	30A	6kg.f.cm and below
3PB-10	Plated Sn over Ni base	5.5	10	3	3	7	M3	3.0-3.1	6.5+	1.6 to 2.0	30A	6kg.f.cm and below
3PB-11	Plated Sn over Ni base	5.5	11	3	3	7	M3	3.0-3.1	6.5+	1.6 to 2.0	30A	6kg.f.cm and below
3PB-12	Plated Sn over Ni base	5.5	12	3	3	7	M3	3.0-3.1	6.5+	1.6 to 2.0	30A	6kg.f.cm and below
3PB-13	Plated Sn over Ni base	5.5	13	3	3	7	M3	3.0-3.1	6.5+	1.6 to 2.0	30A	6kg.f.cm and below
3PB-14	Plated Sn over Ni base	5.5	14	3	3	7	M3	3.0-3.1	6.5+	1.6 to 2.0	30A	6kg.f.cm and below
3PB-15	Plated Sn over Ni base	5.5	15	3	3	7	M3	3.0-3.1	6.5+	1.6 to 2.0	30A	6kg.f.cm and below
4PB-6	Plated Sn over Ni base	7	6	3	3	3	M4	3.0-3.1	8+	1.6 to 2.0	30A	6kg.f.cm and below
4PB-7	Plated Sn over Ni base	7	7	3	3	4	M4	3.0-3.1	8+	1.6 to 2.0	30A	6kg.f.cm and below

High Torque Distribution Ltd, 6 & 7 Wren Court, Strathclyde Business Park, Bellshill ML4 3NQ, Scotland, UK.
Telephone: +44 (0)1698 749749 **Fax:** +44 (0)1698 749206 **Email:** sales@hightorque.biz
Web: www.hightorquefasteners.co.uk

VAT Number: GB817097808 **Company Registration Number:** SC249029

Fastener and Component Solutions

4PB-8	Plated Sn over Ni base	7	8	3	3	5	M4	3.0-3.1	8+	1.6 to 2.0	30A	6kg.f.cm and below
4PB-9	Plated Sn over Ni base	7	9	3	3	6	M4	3.0-3.1	8+	1.6 to 2.0	30A	6kg.f.cm and below
4PB-10	Plated Sn over Ni base	7	10	3	3	7	M4	3.0-3.1	8+	1.6 to 2.0	30A	6kg.f.cm and below
4PB-11	Plated Sn over Ni base	7	11	3	3	7	M4	3.0-3.1	8+	1.6 to 2.0	30A	6kg.f.cm and below
4PB-12	Plated Sn over Ni base	7	12	3	3	7	M4	3.0-3.1	8+	1.6 to 2.0	30A	6kg.f.cm and below
4PB-13	Plated Sn over Ni base	7	13	3	3	7	M4	3.0-3.1	8+	1.6 to 2.0	30A	6kg.f.cm and below
4PB-14	Plated Sn over Ni base	7	14	3	3	7	M4	3.0-3.1	8+	1.6 to 2.0	30A	6kg.f.cm and below
4PB-15	Plated Sn over Ni base	7	15	3	3	7	M4	3.0-3.1	8+	1.6 to 2.0	30A	6kg.f.cm and below

High Torque Distribution Ltd, 6 & 7 Wren Court, Strathclyde Business Park, Bellshill ML4 3NQ, Scotland, UK.
Telephone: +44 (0)1698 749749 **Fax:** +44 (0)1698 749206 **Email:** sales@hightorque.biz
Web: www.hightorquefasteners.co.uk

VAT Number: GB817097808 **Company Registration Number:** SC249029