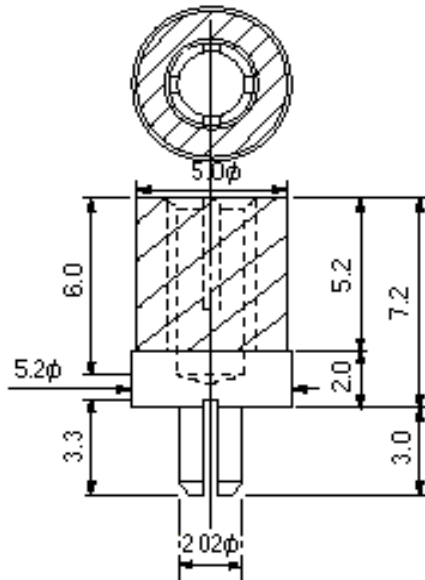


Socket for Male Pin (Diameter 2.0 phi mm)



- Use this for check, supply of power source to PCB, etc.
- Contact Resistance....20m ohm or less
- Dielectric Strength....1000V AC, DC 1min
- Finish....Au plating over Ni
- Insulation Resistance....1000M ohm or more
- Material....
- Resin part..Fluorine (UL94V-0)
- Socket part..Phosphorus bronze
- Mating/unmating (durability)....1000 times or more
- Mating/unmating Forces....
- 800g or less (mating)
- 100g or more (unmating)
- Rated Current....10A
- Recommended Male Pin Diameter (phi mm)....2.0
- Recommended Through-hole Diameter (phi mm)....2.0
- Temperature Range (Degrees Celcius)....-40 to +125

High Torque Distribution Ltd, 6 & 7 Wren Court, Strathclyde Business Park, Bellshill ML4 3NQ, Scotland, UK.
Telephone: +44 (0)1698 749749 **Fax:** +44 (0)1698 749206 **Email:** sales@hightorque.biz
Web: www.hightorquefasteners.co.uk

VAT Number: GB817097808 **Company Registration Number:** SC249029



Fastener and Component Solutions

High Torque Distribution Ltd, 6 & 7 Wren Court, Strathclyde Business Park, Bellshill ML4 3NQ, Scotland, UK.
Telephone: +44 (0)1698 749749 **Fax:** +44 (0)1698 749206 **Email:** sales@hightorque.biz
Web: www.hightorquefasteners.co.uk

VAT Number: GB817097808 **Company Registration Number:** SC249029

