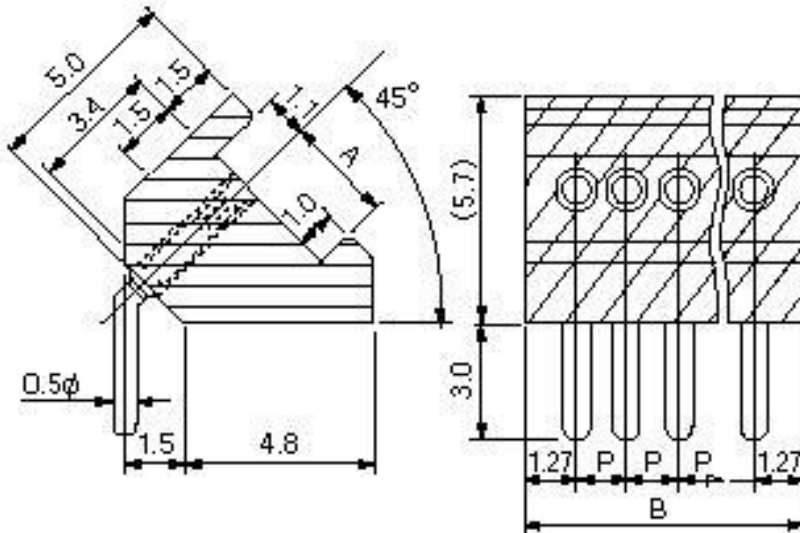


Angel Type (Pitch=1.27, 2.54mm)



- Use to connect PCB at an angle of 45 degrees.
- Contact Resistance....10m ohm or less
- Dielectric Strength....
500V AC, DC 1min (AA-1 series)
1000V AC, DC 1min (AA-3 series)
- Finish....
Body part..Sn plating over Ni
Contact part..Au plating over Ni
- Insulation Resistance....500M ohm or more
- Material....
Resin part..PCT black (UL94V-0)
Body part..Brass
Contact part..Beryllium copper
- Mating/unmating (durability)....100 times or more
- Mating/unmating Forces....30g or more
- Rated Current....1A
- Recommended Male Pin Diameter (phi mm)....0.35 to 0.47
- Recommended Through-hole Diameter (phi mm)....0.7
- Temperature Range (Degrees Celcius)....-40 to +125

High Torque Distribution Ltd, 6 & 7 Wren Court, Strathclyde Business Park, Bellshill ML4 3NQ, Scotland, UK.
Telephone: +44 (0)1698 749749 **Fax:** +44 (0)1698 749206 **Email:** sales@hightorque.biz
Web: www.hightorquefasteners.co.uk

VAT Number: GB817097808 **Company Registration Number:** SC249029

Fastener and Component Solutions

N/O	A (mm)	B (mm)	P (mm)	Applicable Board Thickness (mm)	Applicable Male Pin Diameter (phi mm)	Max Pin
AA-1-0.6	1.8	52.07	1.27	0.6	MA-1-0	40
AA-1-0.8	2.0	52.07	1.27	0.8	MA-1-0	40
AA-1-1.0	2.2	52.07	1.27	1.0	MA-1-0	40
AA-1-1.2	2.4	52.07	1.27	1.2	MA-1-0	40
AA-1-1.6	2.8	52.07	1.27	1.6	MA-1-0	40
AA-3-0.6	1.8	50.8	2.54	0.6	MA-3-0	40
AA-3-0.8	2.0	50.8	2.54	0.8	MA-3-0	40
AA-3-1.0	2.2	50.8	2.54	1.0	MA-3-0	40
AA-3-1.2	2.4	50.8	2.54	1.2	MA-3-0	40
AA-3-1.6	2.8	50.8	2.54	1.6	MA-3-0	40

High Torque Distribution Ltd, 6 & 7 Wren Court, Strathclyde Business Park, Bellshill ML4 3NQ, Scotland, UK.
Telephone: +44 (0)1698 749749 **Fax:** +44 (0)1698 749206 **Email:** sales@hightorque.biz
Web: www.hightorquefasteners.co.uk

VAT Number: GB817097808 **Company Registration Number:** SC249029